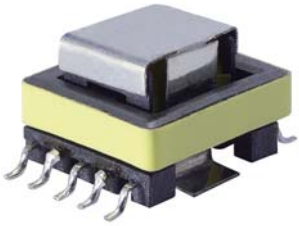
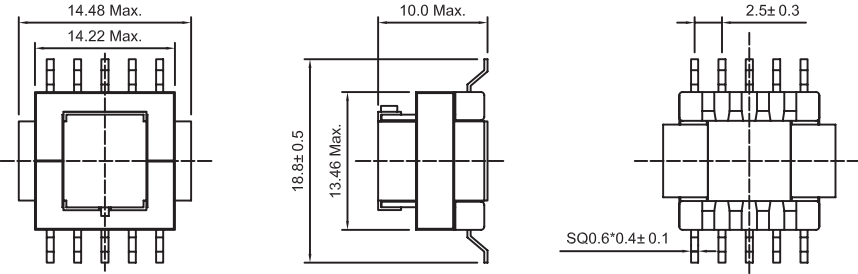


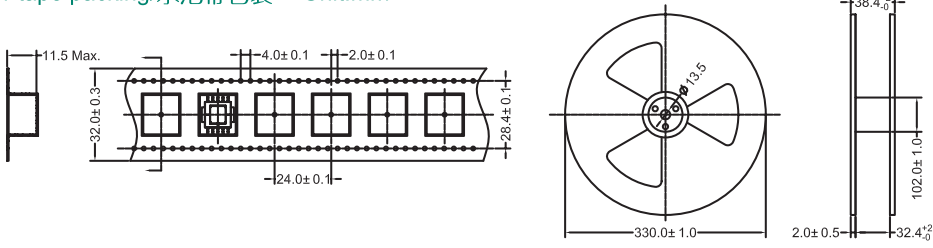
Current transformer/電流互感器

	<p>Core shape: EE-12.6 Features:</p> <ul style="list-style-type: none"> •Designed with the high permeability ferrite core •Different turn ratio •Low DC resistance •Surface-Mounted •RoHS Compliance 	<p>磁芯形狀: EE-12.6 特性:</p> <ul style="list-style-type: none"> •採用高初始磁導率磁芯設計 •各種不同的圈數比例 •直流阻抗小 •封裝形式: 表面安裝 •符合RoHS標準
---	---	--

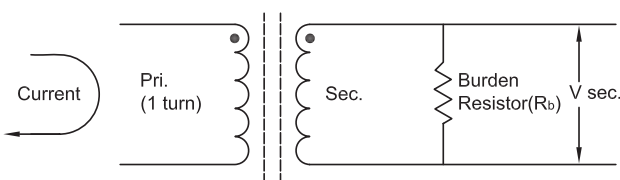
Shape and external dimension/機械尺寸mm.



Blister tape packing/水泡帶包裝 Unit:mm



Typical application/典型應用



$$R_b = \frac{V_{sec} \cdot N_{sec}}{Pri. \text{ current}}$$

Electronical characteristics/電氣特性

Model/型號	Turn ratio Np : Ns	Inductance Sec. @1KHz/50mv (Min.)	SECDCR(Ω) (Max)	Voltage-time V.us	Burden Resistance. Rb Ω
GBCT-1:150-S	1:150	12mH	2.23	375	150
GBCT-1:200-S	1:200	22mH	2.93	500	200